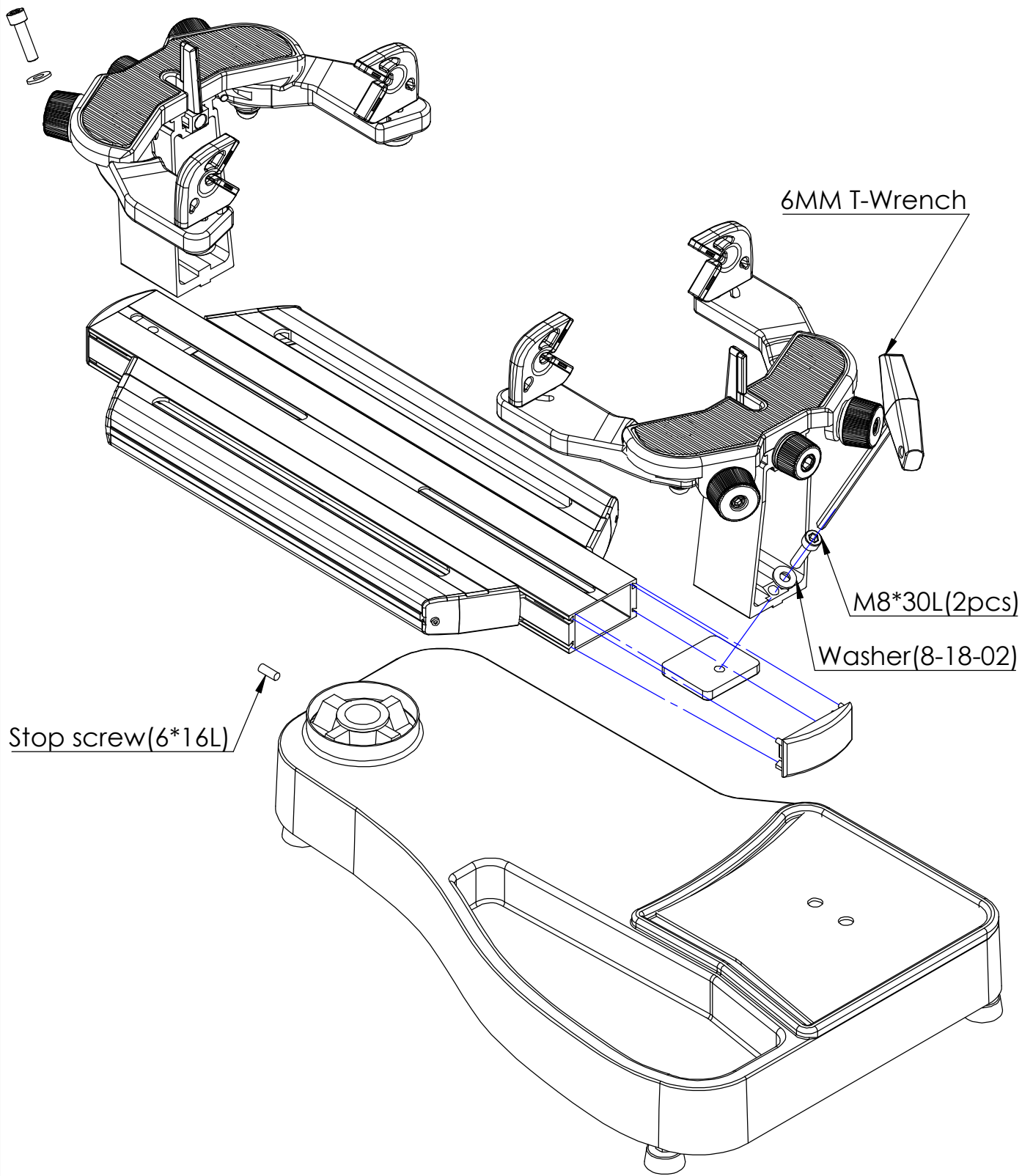


CB-10 Base Assemble Instruction



300FC Turn table assamble instruction